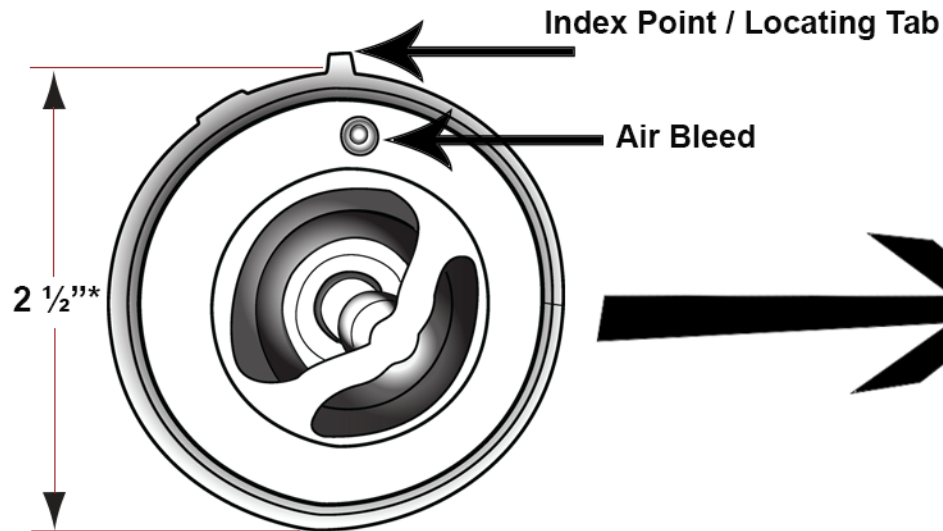
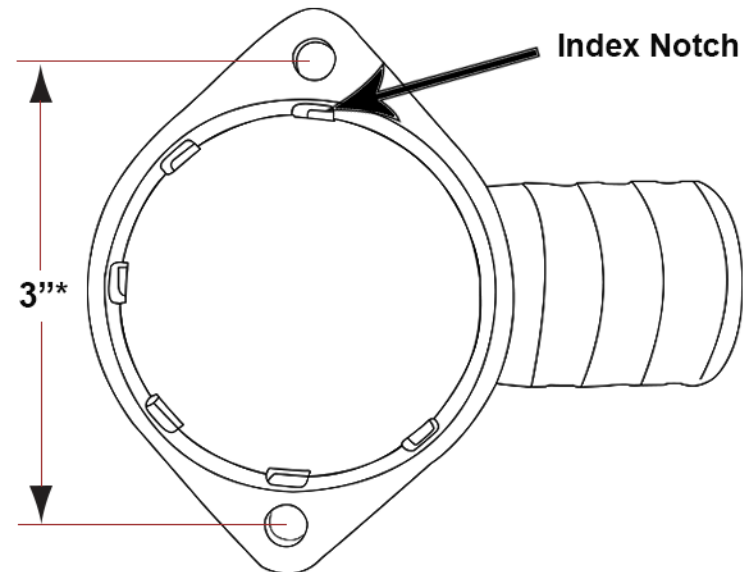


# LS Thermostat Housing

TOP OF THERMOSTAT



\*Outside diameter of Thermostat Seal



\*Mounting Hole Dimensions

The Eddie Motorsports Billet Aluminum Thermostat Housing for Chevy LS engines is designed to work with stock GM LS thermostats and seal. These parts are NOT included with the housing and can be purchased separately from Eddie Motorsports:

MS106-75S Seal

MS106-75T 187° Thermostat (Gates# 74125693)

There are several models of thermostats and housings for GM LS engines. Before beginning the installation, verify that the Eddie Motorsports housing has the correct dimensions for the mounting holes (3" center-to-center) and thermostat recess (2 1/2" OD) to match your water pump.

**IMPORTANT!** After rotating the thermostat housing to its final installed position, it is imperative that you place the locating tab on the thermostat in the appropriate index notch on the housing so that the air bleed valve is installed facing "up," as close to the 12 o'clock position as possible. Failure to do so could cause overheating.



11479 Sixth St, Rancho Cucamonga, CA 91730 \* 888-813-1293 \* [www.eddiemotorsports.com](http://www.eddiemotorsports.com)