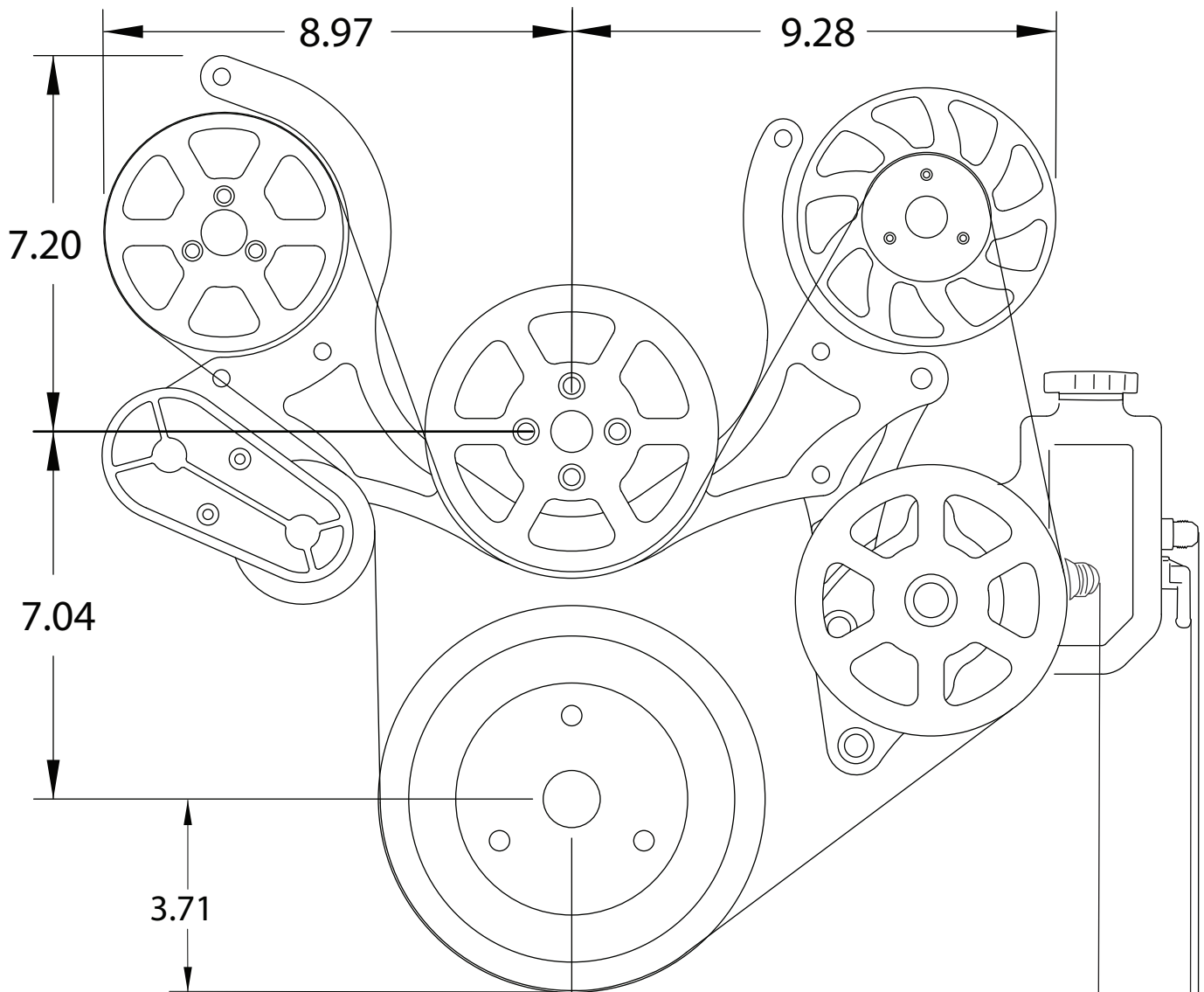


BIG BLOCK CHEVY S-DRIVE DIMENSIONS

MS107-50, MS107-51 & MS107-52



BB CHEVY

PULLEY DISTANCE FROM BLOCK:

CRANK 6.32

POWER STEERING 6.375

ALTERNATOR 6.63

WATER PUMP 7.00

A/C COMPRESSOR 7.55

TENSIONER 7.125

