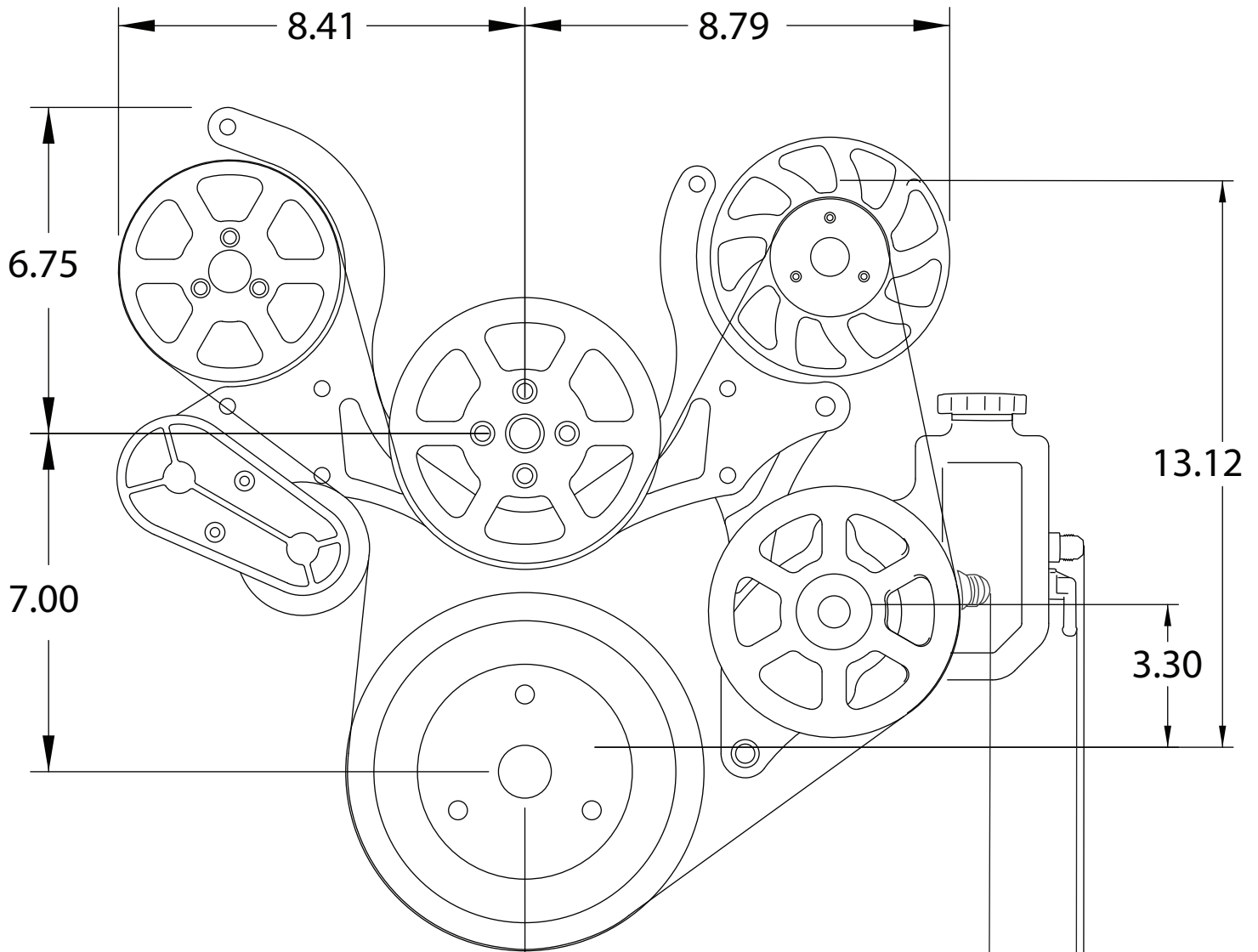


SMALL BLOCK CHEVY S-DRIVE DIMENSIONS

MS107-55, MS107-56 & MS107-57



SMALL BLOCK CHEVY

PULLEY DISTANCE FROM BLOCK:

CRANK 6.44

POWER STEERING 6.57

ALTERNATOR 6.75

WATER PUMP 7.14

A/C COMPRESSOR 7.67

TENSIONER 7.125

