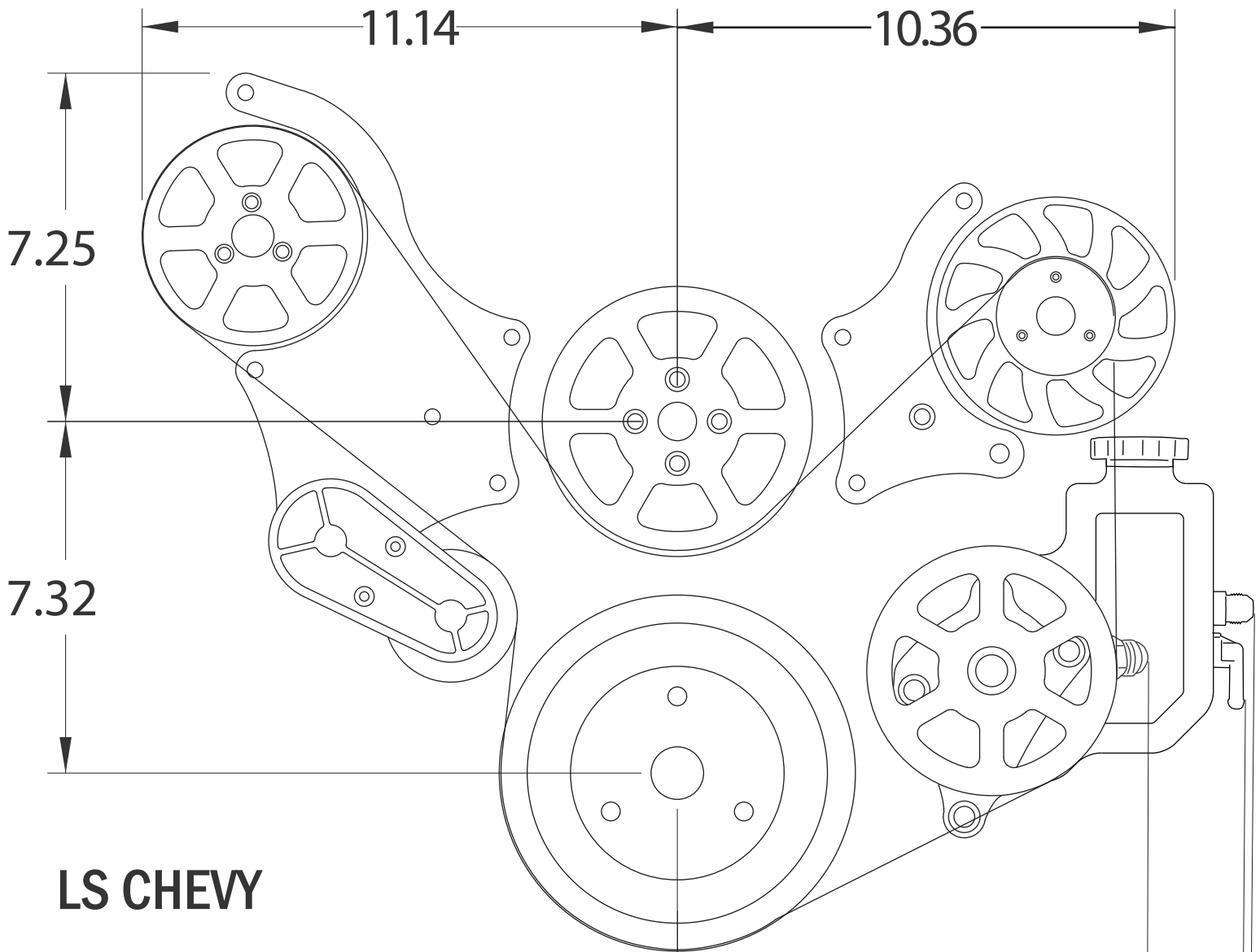


LS CHEVY S-DRIVE DIMENSIONS

MS107-60, MS107-61 & MS107-62



LS CHEVY

PULLEY DISTANCE FROM BLOCK:

CRANK 6.84

POWER STEERING 6.97

ALTERNATOR 7.05

WATER PUMP 7.09

A/C COMPRESSOR 8.07

TENSIONER 7.75

