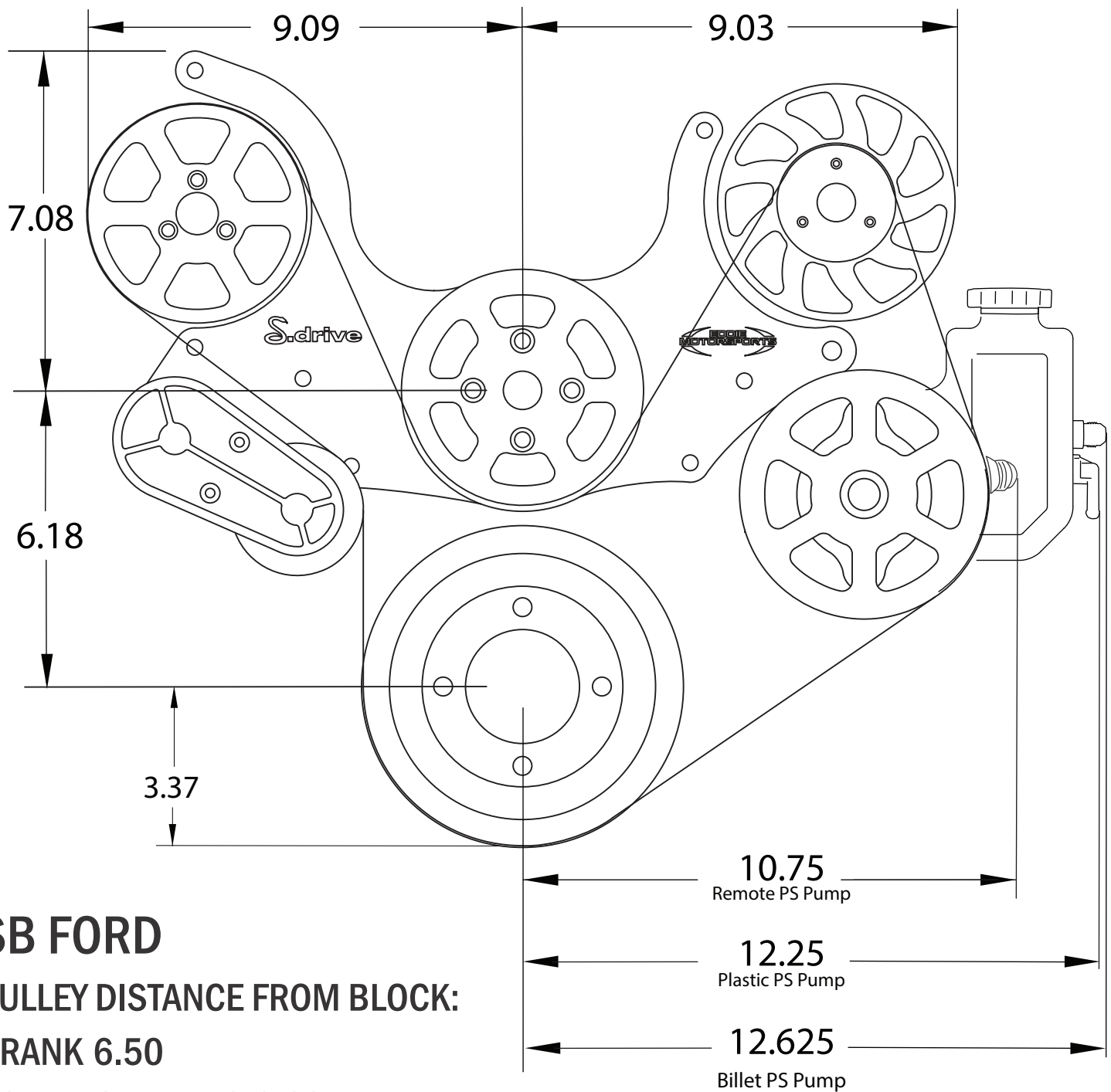


SMALL BLOCK FORD S-DRIVE DIMENSIONS

MS107-63, MS107-64 & MS107-65



SB FORD

PULLEY DISTANCE FROM BLOCK:

CRANK 6.50

POWER STEERING 6.60

ALTERNATOR 6.82

WATER PUMP 7.07

A/C COMPRESSOR 7.71

TENSIONER 7.37

