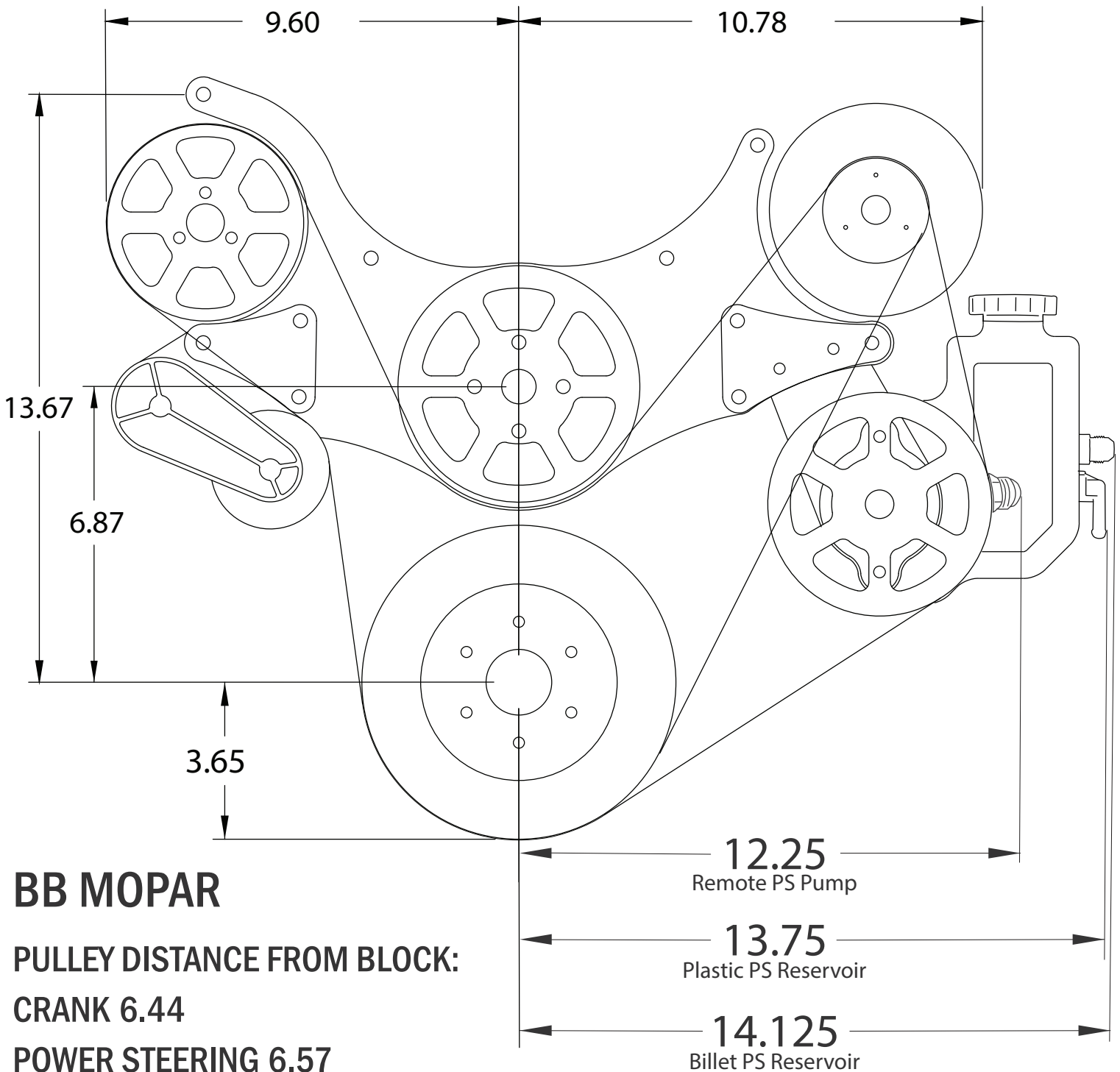


BIG BLOCK MOPAR

MS107-67, MS107-68 & MS107-69



BB MOPAR

PULLEY DISTANCE FROM BLOCK:

CRANK 6.44

POWER STEERING 6.57

ALTERNATOR 6.70

WATER PUMP 7.06

A/C COMPRESSOR 7.67

TENSIONER 7.375

