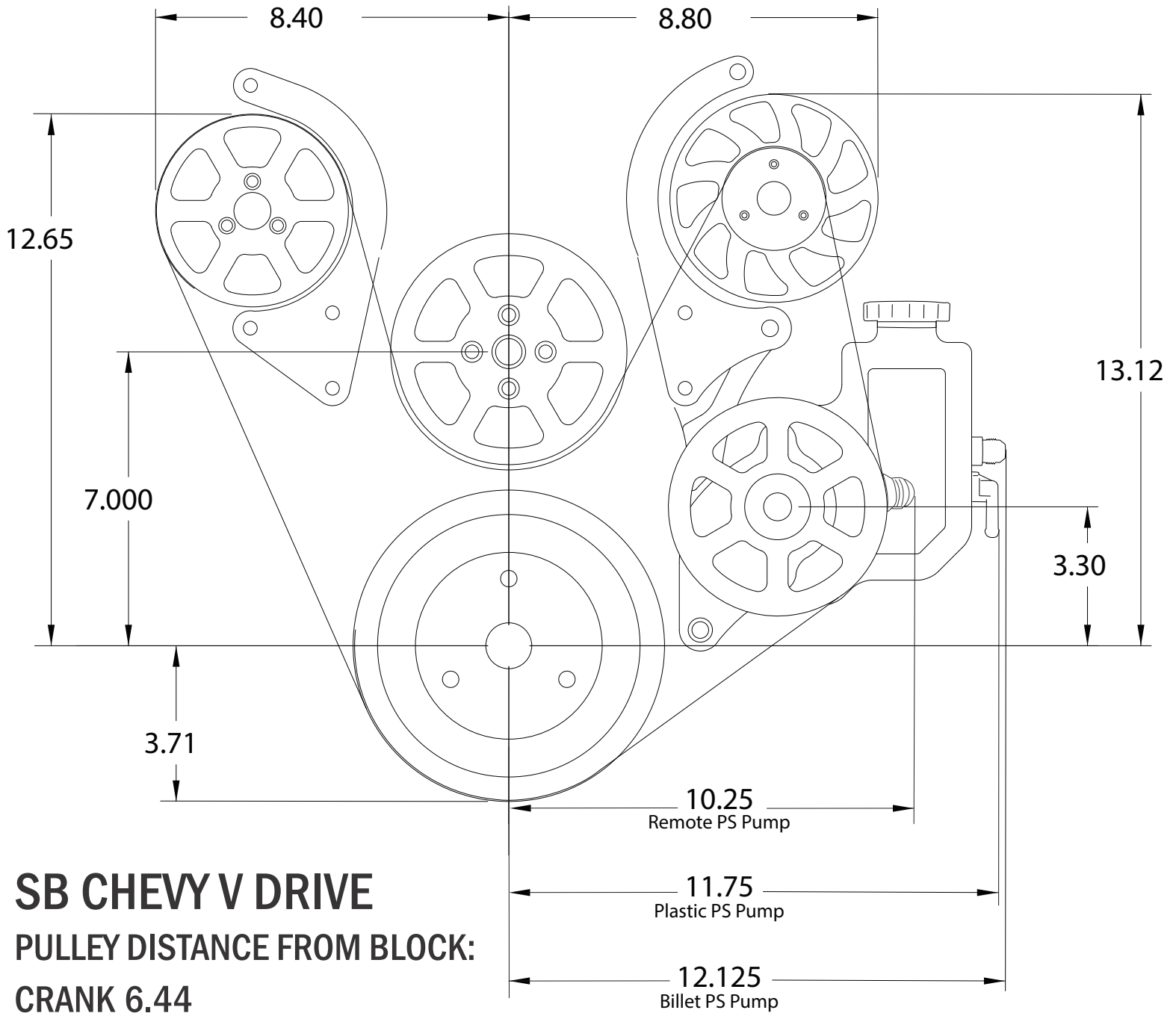


SMALL BLOCK CHEVY V DRIVE DIMENSIONS

MS107-90, MS107-91 & MS107-92



SB CHEVY V DRIVE

PULLEY DISTANCE FROM BLOCK:

CRANK 6.44

POWER STEERING 6.57

ALTERNATOR 6.70

WATER PUMP 7.06

A/C COMPRESSOR 7.67

