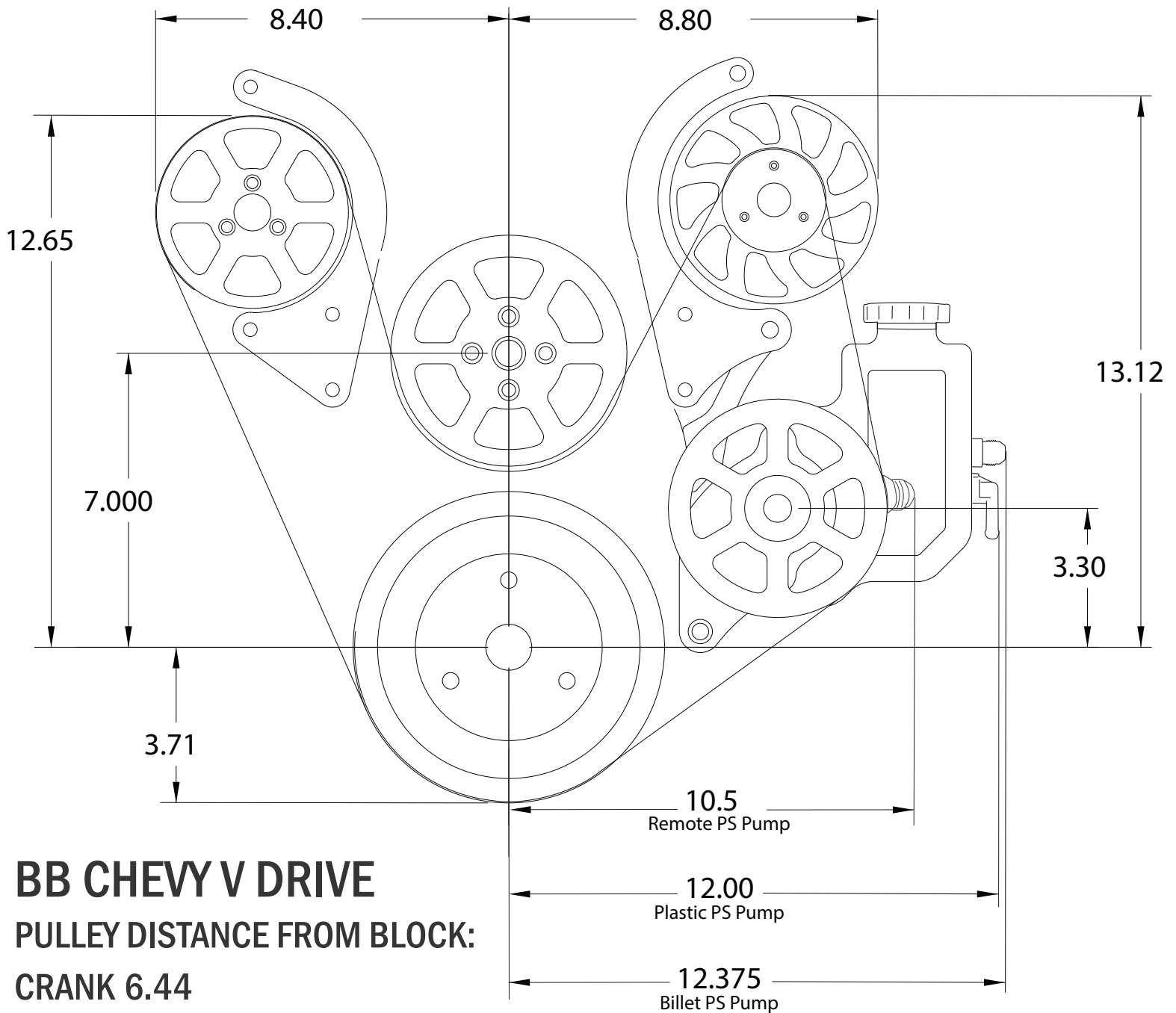


BIG BLOCK CHEVY V DRIVE DIMENSIONS

MS107-95, MS107-96 & MS107-97



BB CHEVY V DRIVE

PULLEY DISTANCE FROM BLOCK:

CRANK 6.44

POWER STEERING 6.57

ALTERNATOR 6.70

WATER PUMP 7.06

A/C COMPRESSOR 7.67

