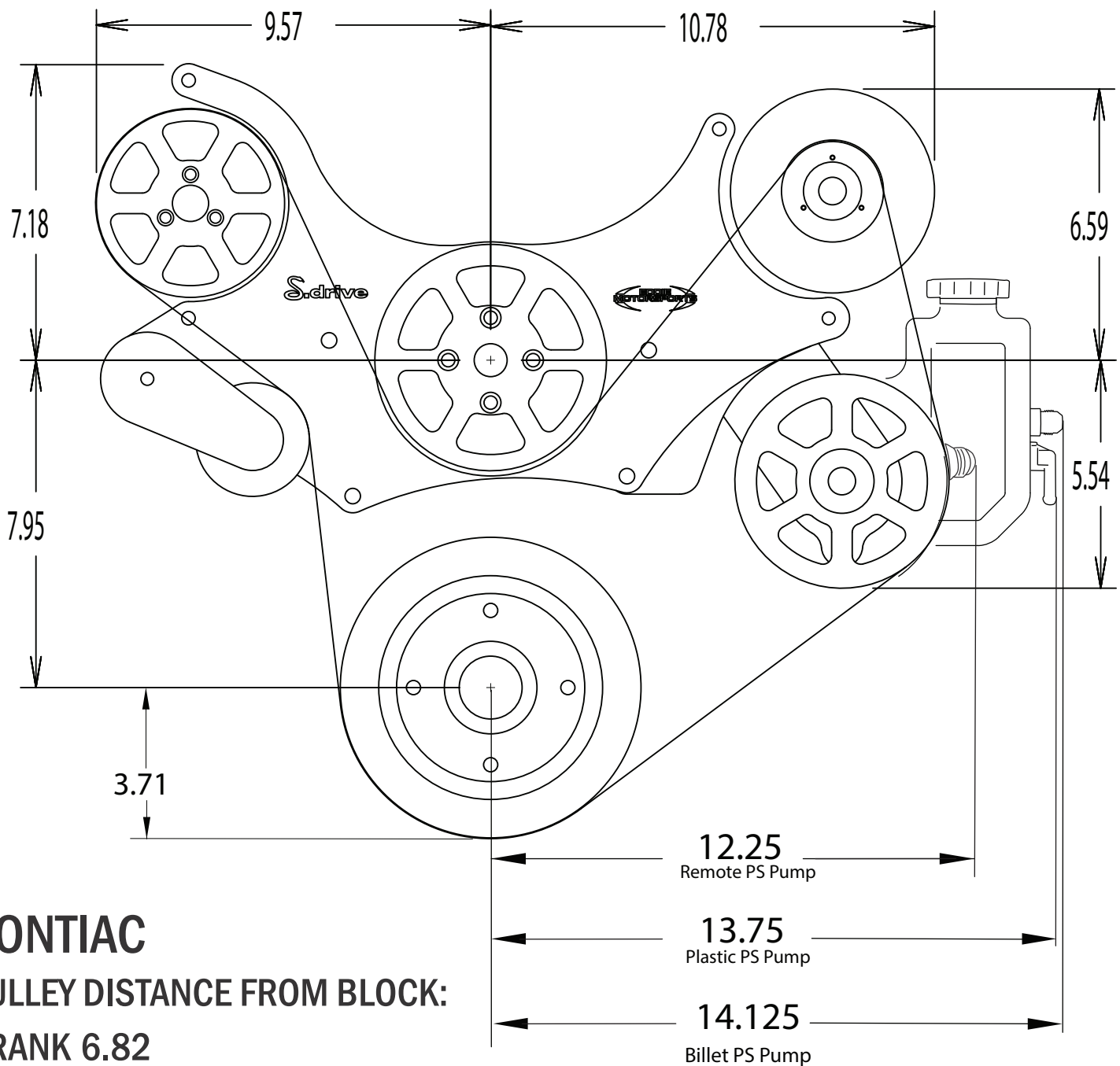


64-68 PONTIAC S-DRIVE DIMENSIONS

MS117-60, MS117-61 & MS117-62



PONTIAC

PULLEY DISTANCE FROM BLOCK:

CRANK 6.82

POWER STEERING 6.94

ALTERNATOR 7.07

WATER PUMP 7.08

A/C COMPRESSOR 8.05

TENSIONER 7.69

