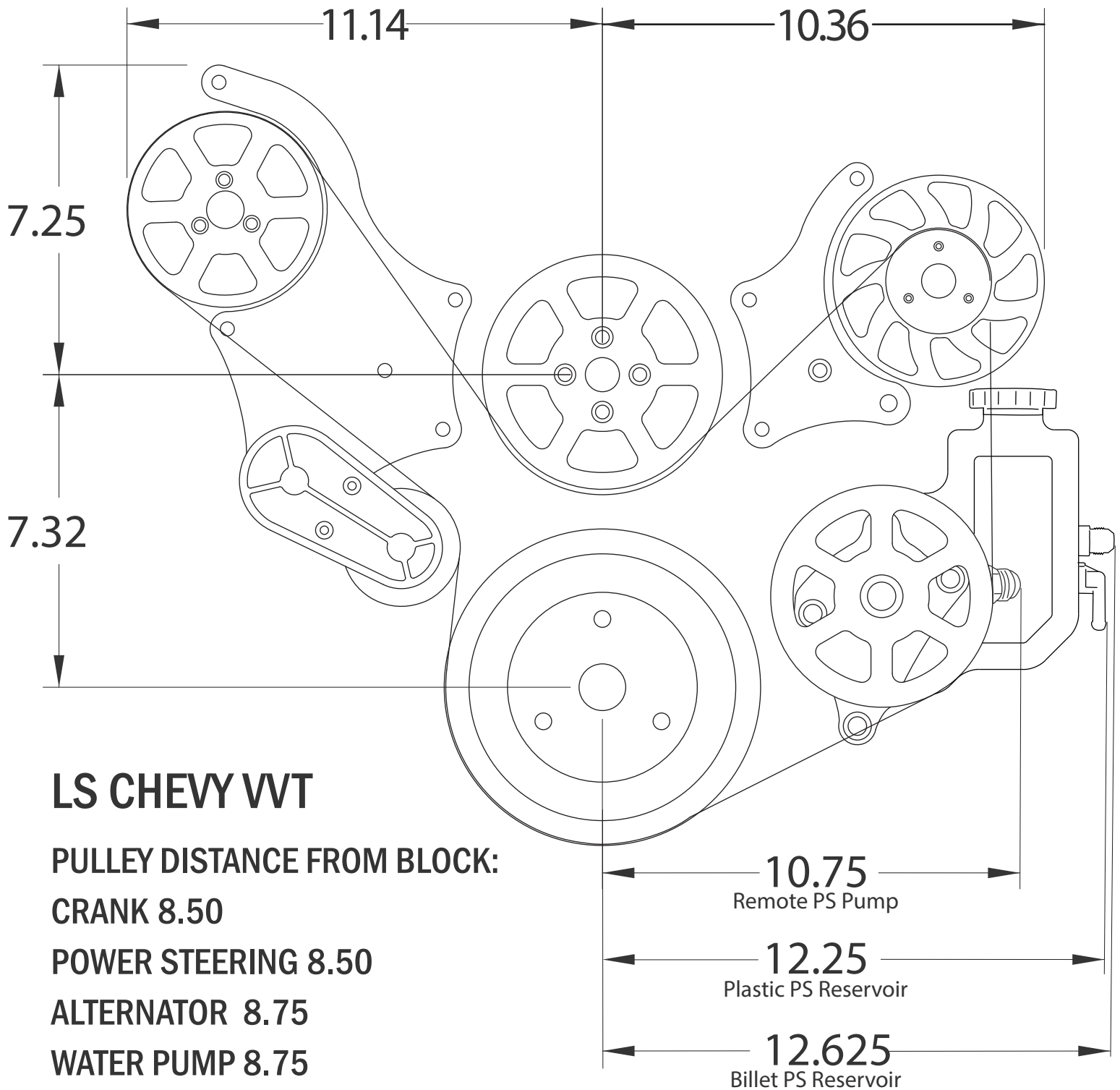


LS CHEVY VVT S-DRIVE DIMENSIONS

MS117-80, MS117-81 & MS117-82



LS CHEVY VVT

PULLEY DISTANCE FROM BLOCK:

CRANK 8.50

POWER STEERING 8.50

ALTERNATOR 8.75

WATER PUMP 8.75

A/C COMPRESSOR 9.75

TENSIONER 9.375

