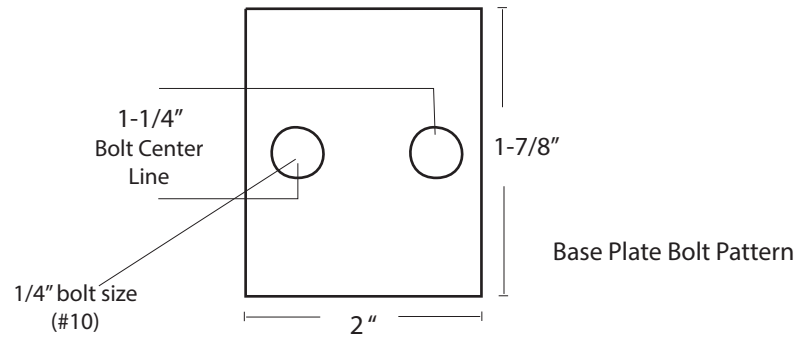


MS149-20 BILLET HIDDEN HATCH HINGE MEASUREMENTS



IF YOU HAVE PRINTED THESE INSTRUCTIONS, USE THE DIMENSIONS LISTED FOR REFERENCE. THEY ARE NOT PRINTED TO SCALE.

