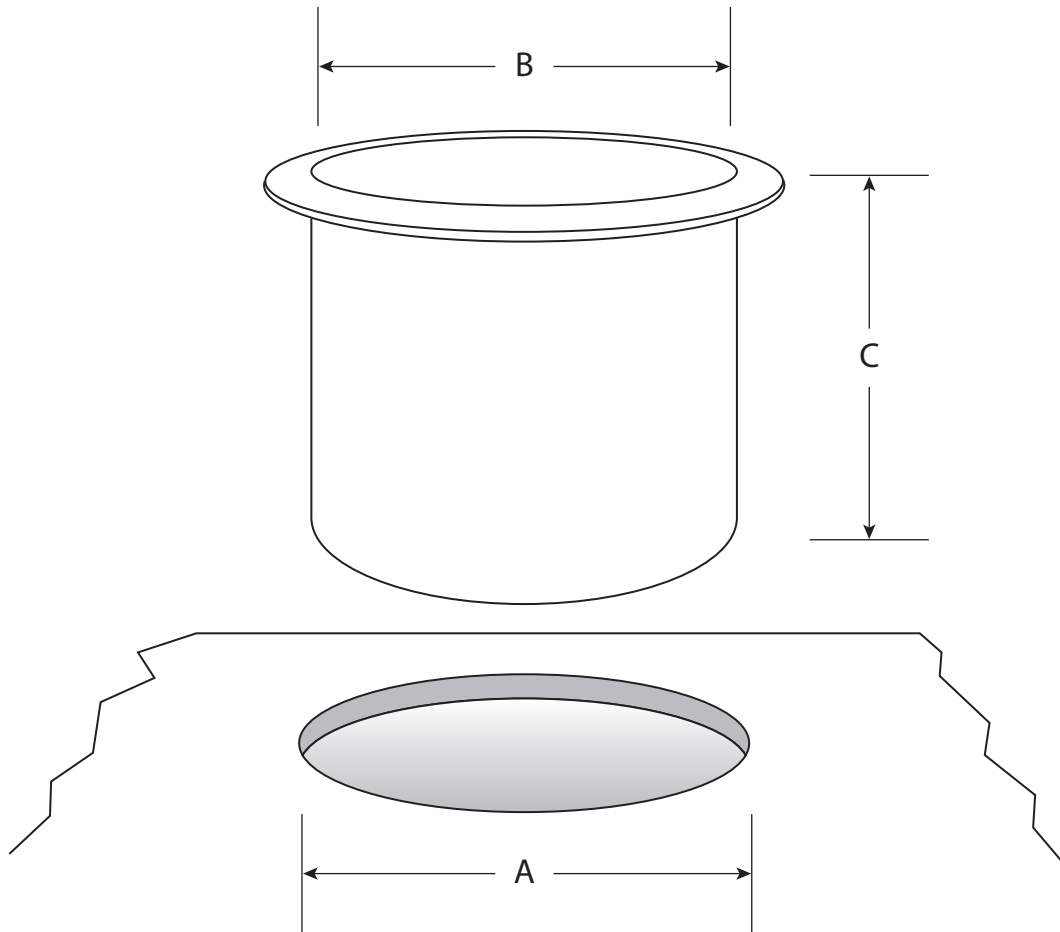


# DRINK CUP HOLDER DIMENSIONS



		Cut out (A)	Flange (B)	Depth (C)
MS281-39	Spun small	3"	3 3/4"	2 7/8"
MS281-32	Spun medium	3 3/8"	4 3/16"	3"
MS281-31	Spun large	3 3/4"	4 3/8"	2 7/8"
MS281-45	Billet small	3"	3 1/2"	2 5/8"
MS281-44	Billet small (short)	3"	3 1/2"	1 1/2"
MS281-43	Billet medium	3 3/8"	4 1/8"	2 13/16"
MS281-42	Billet large	3 3/4"	4 1/2"	3 1/8"